

RANGE OF APPLICATION

Trade fairs / walkways / marketplaces / Christmas markets / workshops / warehouses / shopping centres / department stores / construction sites, streets, etc.

DEFENDER® MINI

3 SMALL CHANNELS – THE LIGHTWEIGHT CHAMPION

Available with a choice of black or yellow lids the Defender® MINI cable protection system is ideal for both indoor and outdoor use. The compact, low profile 3-channel ramp with integrated dog bone connectors features a slip-resistant underside for superior grip on a wide variety of surfaces. Male and female end ramps are available to provide secure and tidy cable entry and exit. With a 2 t per 20 x 20 cm load capacity Defender® MINI protectors support lightweight vehicles, carts and pedestrian traffic. Applications include carnivals, fairs, trade shows, exhibitions, shopping malls, warehouses, stages, studios and broadcasting. Not suitable for road traffic.

SPECIFICATIONS

Art. No.:	85200
Product:	3-channel cable protector
Channel W x H:	35 x 30 mm (channels 1 and 3), 35 x 35 mm (channel 2)
Material:	TPU (Thermoplastic Polyurethane)
Shore A hardness:	88 ± 4
Load capacity:	approx. 2 t / 20 x 20 cm (typical tyre footprint area)
Fire rating:	B2 (B1 also available)
Resistant to:	most acids, oils, gasoline
Operating temperature:	-30° to +60° C
Length:	1.000 mm
Width:	290 mm
Height:	48 mm
Weight:	5 kg

DEFENDER® MINI End Ramp female

Ref. Number: 85208F

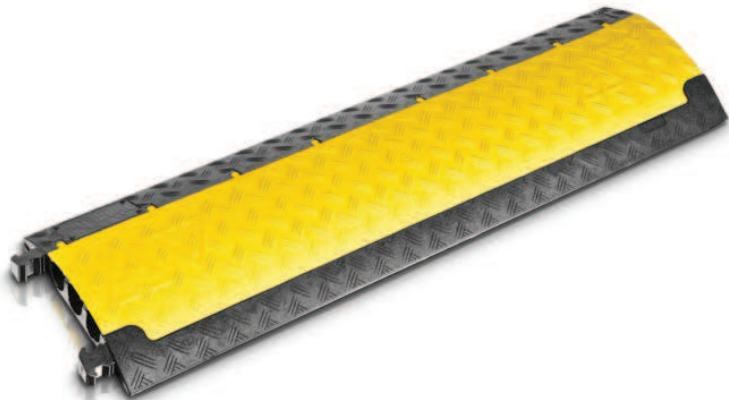
DEFENDER® MINI End Ramp male

Ref. Number: 85208M



ALSO
AVAILABLE
WITH BLACK
LID!

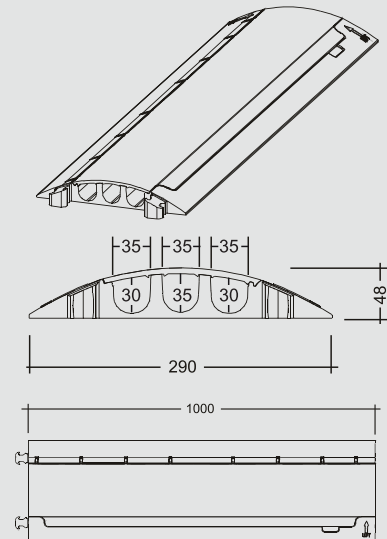
Art. No. 85200BLK



Art. No. 85208F



Art. No. 85208M



* dimensions in mm