

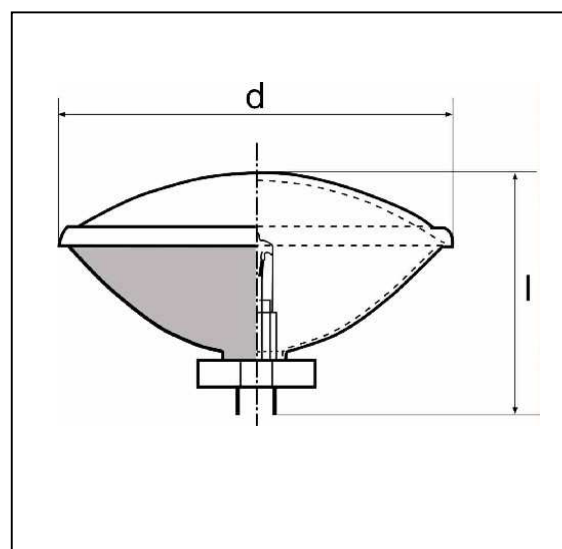
■ Product description

- Tungsten halogen lamp with a parabolic reflector for stage and show lighting
- Reduced weight due to aluminium reflector instead of a glass reflector
- High luminous flux due to halogen lamp with a compact filament and a reflector with a high precision contour
- Increased safety thanks to integrated fuse
- Disassembly into components allows for environmentally friendly waste disposal

■ Technical data

Order reference	aluPAR 56 WFL	
Application	Wide Flood	
Rated lamp wattage	W	300
Rated lamp voltage	V	230 ¹⁾
Average service life	h	2000
Luminous intensity	cd	10,000
Beam angle	°	26°/27°
Base	GX16d	
Bulb diameter	mm	177
Lamp length (overall)	mm	113
Weight	g	368

¹⁾ also available in 240V



■ Lamp operation

Burning position	any
Safety	Integrated fuse meets DIN IEC 60432-2