

□ 3910400 Shower

Application.

Emergency shower for horizontal installation, built in conformity to UNI 9608-1993 and ANSI/ISEA Z358.1-2009. Where the eyes or body of any person may be exposed to injurious or corrosive materials, suitable facilities for quick drenching or flushing of the eyes and body shall be provided within the work area for immediate emergency use. The facilities shall be in unobstructed and accessible locations that require no more than 10 seconds for the injured person to reach.

Description.

Opening valve without automatic return: once activated ensures the flushing until the voluntary closure by the user.

Shower assembly.

ABS shower head, with break flow system. 1" chrome plated brass stay-open ball valve for shower, operated through a galvanized steel pull rod.

Pipes and fittings.

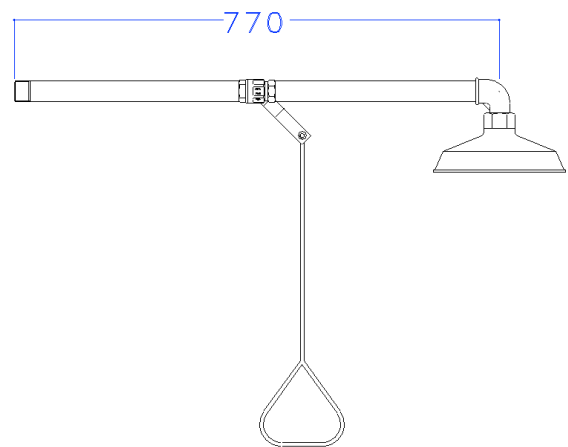
1" schedule 40 carbon steel pipes and fittings, hot-dipped galvanized UNI EN 10240 A.1

Supply.

Side inlet G 1" male.

Quality assurance.

All factory pre-assembled and water tested prior to shipment.



Painting.

Externally coated with thermosetting powder coating based on saturated carboxylated polyester resins and proper hardners: film thickness about 70-80 µ.

Available colors: orange RAL 2004 and green RAL 6029.

Available Options

- SSS Type 304 stainless steel shower head
- US Universal high visibility sign

ORDERING INFORMATION			
STD	3910400		

The data shown can not be considered binding. Continued product improvements make specifications subject to change without notice.