

□ 3950100 Wall mounted eye wash

Application.

Emergency wall mounted eye wash, built in conformity to UNI 9608-1993 and ANSI/ISEA Z358.1-2009. Where the eyes or body of any person may be exposed to injurious or corrosive materials, suitable facilities for quick drenching or flushing of the eyes and body shall be provided within the work area for immediate emergency use. The facilities shall be in unobstructed and accessible locations that require no more than 10 seconds for the injured person to reach.

Description.

Unit with a carbon steel wall bracket for horizontal installation. Opening valve without automatic return: once activated ensures the flushing until the voluntary closure by the user.

Eye-wash assembly.

ABS bowl, with pipe fitting for water outlet. Eye wash system consisting of two nozzles in chromed ABS, adjustable in two functions and with a stainless steel filtering mesh: self-adjusting 2,2 gpm (8,4 lpm) eye wash regulator. 1" chrome plated brass stay-open ball valve, operated through a galvanized steel handle.

Pipes and fittings.

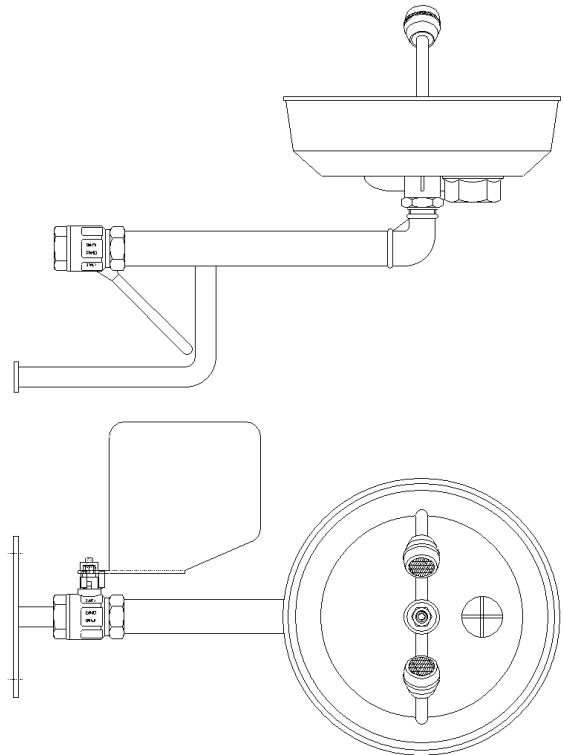
1" schedule 40 carbon steel pipes and fittings, hot-dipped galvanized UNI EN 10240 A.1

Supply.

Side inlet G 1" female.

Quality assurance.

All factory pre-assembled and water tested prior to shipment.



Painting.

Externally coated with thermosetting powder coating based on saturated carboxylated polyester resins and proper hardners: film thickness about 70-80 µ.

Available colors: orange RAL 2004 and green RAL 6029.

Available Options

- SSB Type 304 stainless steel bowl
- SSSH Type 304 stainless steel spray heads
- US Universal high visibility sign

ORDERING INFORMATION		
STD	3950100	

The data shown can not be considered binding. Continued product improvements make specifications subject to change without notice.