



BS-915

BS-915 Series

Built in Universal Decoder

Easily Changing Different Type of Interface Cables

The New design Laser Gun Which You can be affordable



1. Excellent value for popular barcode reading

Birch released the competitive laser for popular barcode application which is growing rapidly and wide used nowadays. BS-915 offers high scanning performance supporting 650mm scanning distance and up to 0.3 Print Contrast Ratio.

2. Multiple 4-in-1 interface in one scanner

BS-915 is built with Keyboard, RS232, USB and Wand interface. It supports use replaceable interface cable by RJ45 phone jack; different interface can be interchangeable just by changing cable. It is simplified installation and integration and good to lessen your inventory load.

It supports to connect RS232 interface directly to your PC by Pin 9 with 5V power without external power adapter.

3. User Friendly and PnP design

It is the ergonomic and light weigh design laser gun but built with extra-large trigger for your maximum comfort every day use. The intuitive scanning and plug and play design can be used directly with your computer without additional device.

Ordering Information:

BS-915M: Laser gun, Black or Beige, PS2

BS-915R: Laser gun, Black or Beige, RS232

BS-915U: Laser gun, Black or Beige, USB

HDR-6P: High stands/hand free holder, Black or Beige

4. Built with professional decoder

The decoder of BS-915 supports nearly all of 1D barcode symbologies (including EAN 128 code and GS1 Data bar), integrating with unique software program and ISP function. It is allowed to program continuous mode for hand free operation.



Technical Specifications

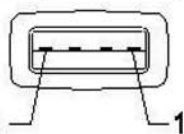
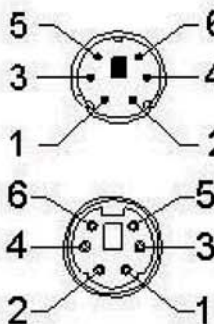
| | |
|----------------------------|--|
| Model | BS-915 series |
| Optical | |
| Width of Window | 700mm@50mil |
| Light Source | 650±10 nm (25°C) |
| Sensor | Laser Diode |
| Scanning Speed | 48 ±2 scans/sec |
| Depth of Field | 650mm@50mil |
| Ambient Light | 7000 Lux Max. |
| Reading Performance | |
| Symbologies | All UPC/EAN/JAN, EAN128 Code, Code 39, Code 39 Full ASCII, Code32 / Italian Pharmacy, Code 128, CODABAR/NW7, Interleave 25, Industrial 25, Matrix 25, MSI/PLESSEY, Telepen, Code 93, Code 11, China Postage, Code 26, LCD25, GS1 DataBar |
| Resolution | 4mil @ PCS 90% |
| PSC | 0.3 PCS value @20mil code 39 |
| Electrical | |
| Interface | RS232, KB, USB |

| | |
|------------------------------|---|
| Connector | RJ45 10 pins |
| Voltage | DC +5V ±5% |
| Operating Current | 65mA |
| Standby Current | 40 – 45mA |
| Environment | |
| Operating Temperature | 0°C to 50°C (32°F to 122°F) |
| Storage Temperature | -20°C to 60°C (-4°F to 140°F) |
| Relative Humidity | 5% to 95% (Non-condensing) |
| Physical | |
| Material | ABS Plastic & Rubber |
| Weight | Approx 135g |
| Dimension | 139.5 x 89.9 x 71.1mm |
| Durability | |
| Drop test | 100cm (40inch) Drop on Concrete Surface |
| Life Time | Light Source: 40,000 hours; Trigger Switch: 1,000,000 times; MTBF: 20,000 hours |

PIN ASSIGNMENTS

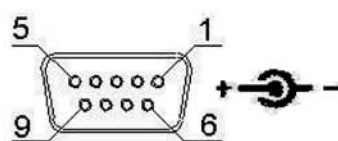
Keyboard interface

| Mini DIN 6 MALE | | Mini DIN 6 FEMAL | |
|-----------------|-----------|------------------|-----------|
| Pin No. | Function | Pin No. | Function |
| 1 | HOST DATA | 1 | KB DATA |
| 2 | NC | 2 | NC |
| 3 | GND | 3 | GND |
| 4 | Vcc (+5V) | 4 | Vcc (+5V) |
| 5 | HOST CLK | 5 | KB CLK |
| 6 | NC | 6 | NC |



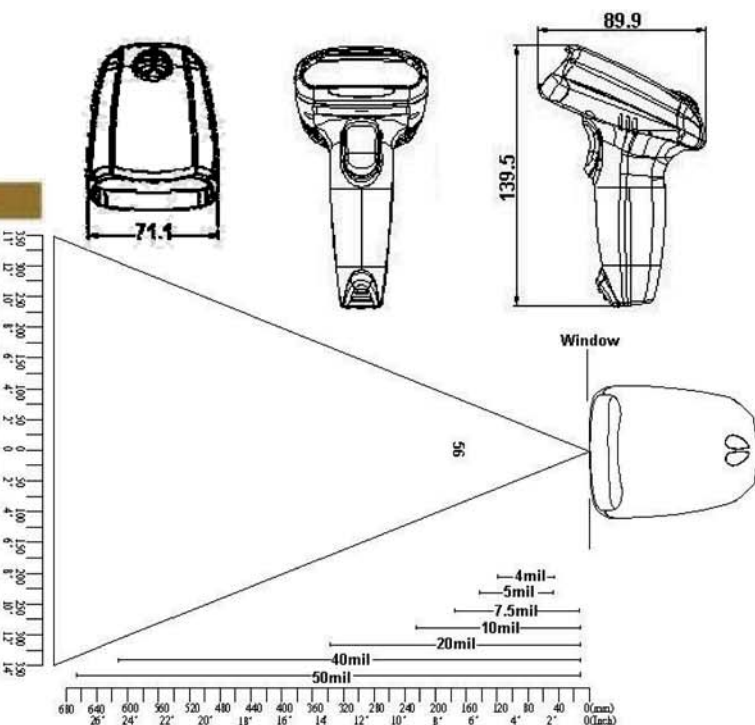
USB interface

| USB A Type Male | |
|-----------------|----------|
| Pin No. | Function |
| 1 | Vcc |
| 2 | D- |
| 3 | D+ |
| 4 | GND |



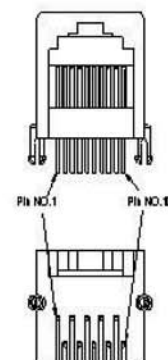
RS-232 interface

| DB 9 Female | |
|-------------|----------|
| Pin No. | Function |
| 2 | TXD |
| 3 | RXD |
| 5 | GND |
| 7 | CTS |
| 8 | RTS |
| 9 | Vcc/+5V |
| Power Lead | Vcc/+5V |



Decoder Data Output (Type RJ45 10P)

| Pin No. | Function | Pin No. | Function |
|---------|-----------|---------|----------|
| 1 | RTS | 6 | KB CLK |
| 2 | HOST DATA | 7 | TXD |
| 3 | GND | 8 | KB DATA |
| 4 | HOST CLK | 9 | RXD |
| 5 | Vcc (+5V) | 10 | CTS |



Contact us for details



Birch is a trademark of Birch Technology U.S.A. Inc. All other products, brands or companies are trademarks or registered trademarks of their respective companies. Specifications are subject to change without prior notice.